

FIG. 380-384

3 PIECES STAINLESS STEEL CHECK VALVE (380-384)



ISO 9001:2008
BUREAU VERITAS
Certification



CE

Size : DN 8 to DN100
Ends : Female-Female BSP or NPT, SW or BW
Min Temperature : - 20°C
Max Temperature : + 200°C
Max Pressure : 63 Bars
Specifications : 3 pieces spring type
All positions
Metal / metal

Materials : Stainless steel

3 PIECES STAINLESS STEEL CHECK VALVE (380-384)

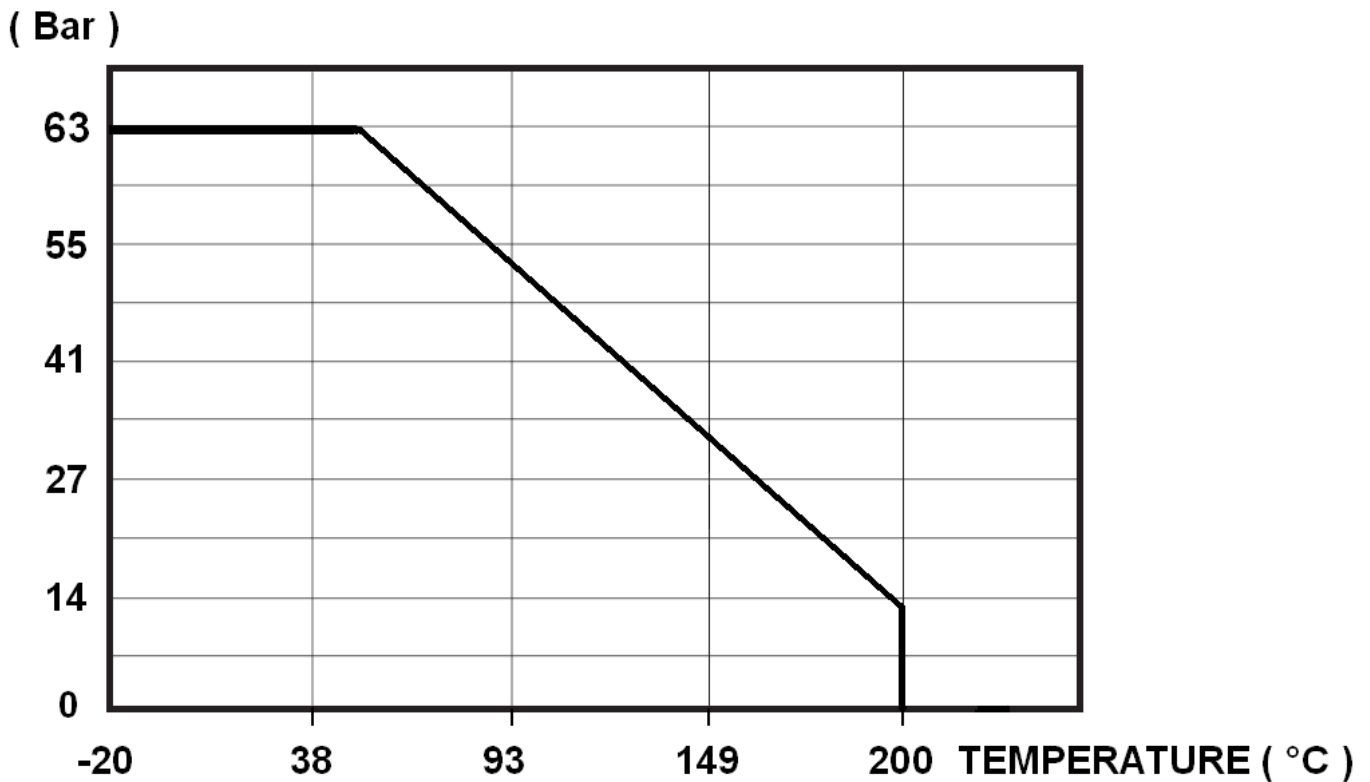
SPECIFICATIONS :

- 3 pieces spring type
- All positions (respect the flow direction indicated by the arrow)
- Metal / metal tightness
- Stainless steel

USE :

- Chemical and pharmaceutical industries, petrochemical industries, hydraulic installation, compressed air
- Min Temperature Ts : - 20°C
- Max Temperature Ts :+ 200°C
- Max Pressure PN : 63 bars (see graph under)

PRESSURE / TEMPERATURE GRAPH (STEAM EXCLUDED) :

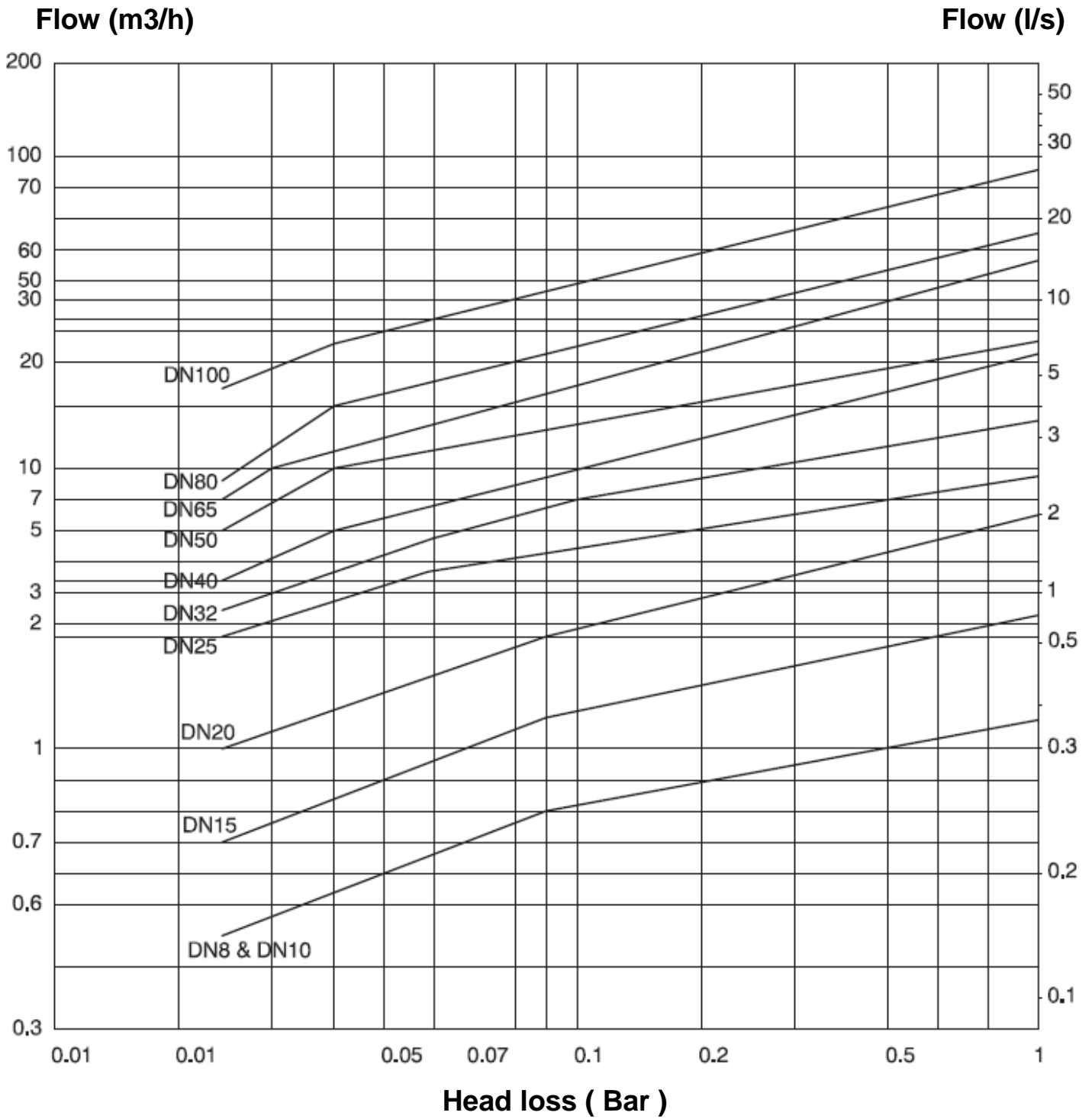


FLOW COEFFICIENT Kvs (M3 / h) :

DN	8	10	15	20	25	32	40	50	65	80	100
Kvs (m3/h)	1.23	1.23	2.24	6.5	9.61	15.89	22.49	25.12	57.8	64.93	91.6

3 PIECES STAINLESS STEEL CHECK VALVE (380-384)

HEAD LOSS GRAPH:



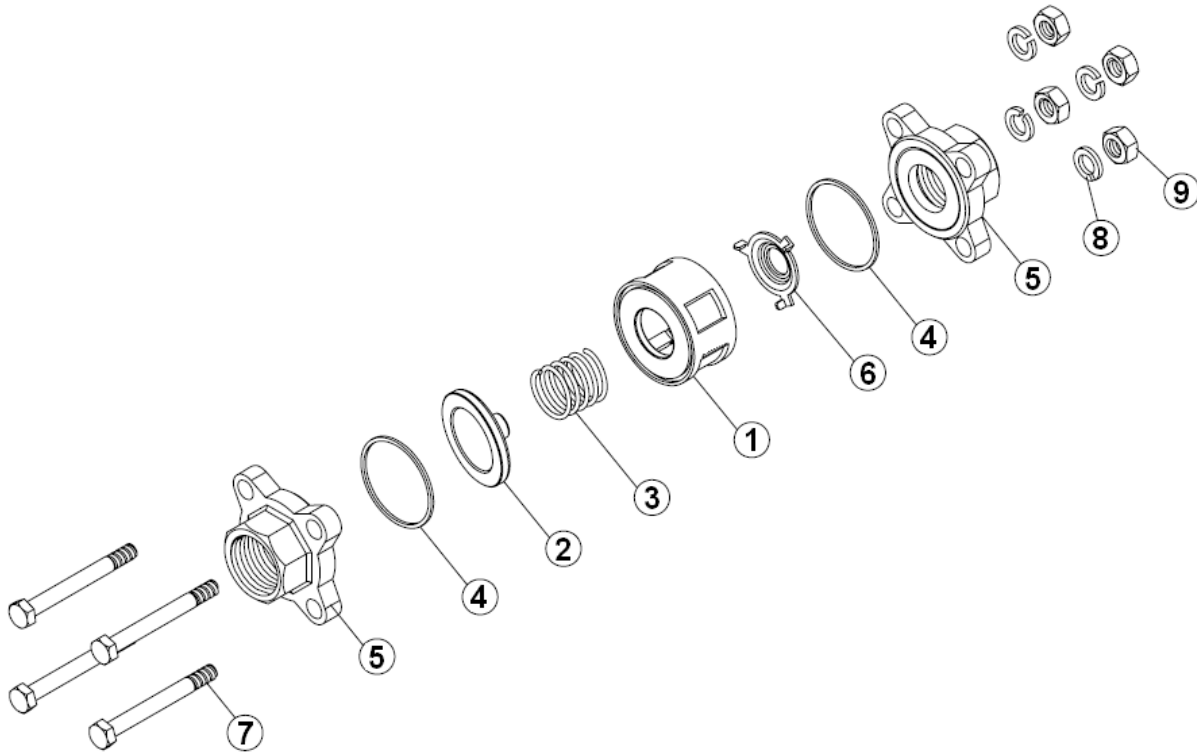
3 PIECES STAINLESS STEEL CHECK VALVE (380-384)

OPENING PRESSURE (in mbar) :

DN	Vertical Position Ascending fluid	Vertical Position Descending fluid	Horizontal Position
DN 08	25 ↑	21 ↓	23 →
DN 10	25 ↑	21 ↓	23 →
DN 15	25 ↑	21 ↓	23 →
DN 20	25 ↑	21 ↓	23 →
DN 25	25 ↑	21 ↓	23 →
DN 32	27 ↑	21 ↓	24 →
DN 40	29 ↑	21 ↓	25 →
DN 50	29 ↑	21 ↓	25 →
DN 65	31 ↑	21 ↓	25 →
DN 80	32 ↑	21 ↓	26 →
DN100	33 ↑	21 ↓	27 →

RANGE :

- Female / female threaded BSP cylindric **Ref. 380** from DN 1/4" to DN 4"
- Butt Welding ends **Ref. 381** from DN 8 to DN 100
- Socket Welding ends **Ref. 382** from DN 8 to DN100
- Female threaded BSP cylindrical with SS316 strainer **Ref. 383** from DN 3/8" to DN 4" (Ref. 380 + Ref. 391)
- Female / female threaded NPT **Ref. 384** from DN 1/4" to DN 2"

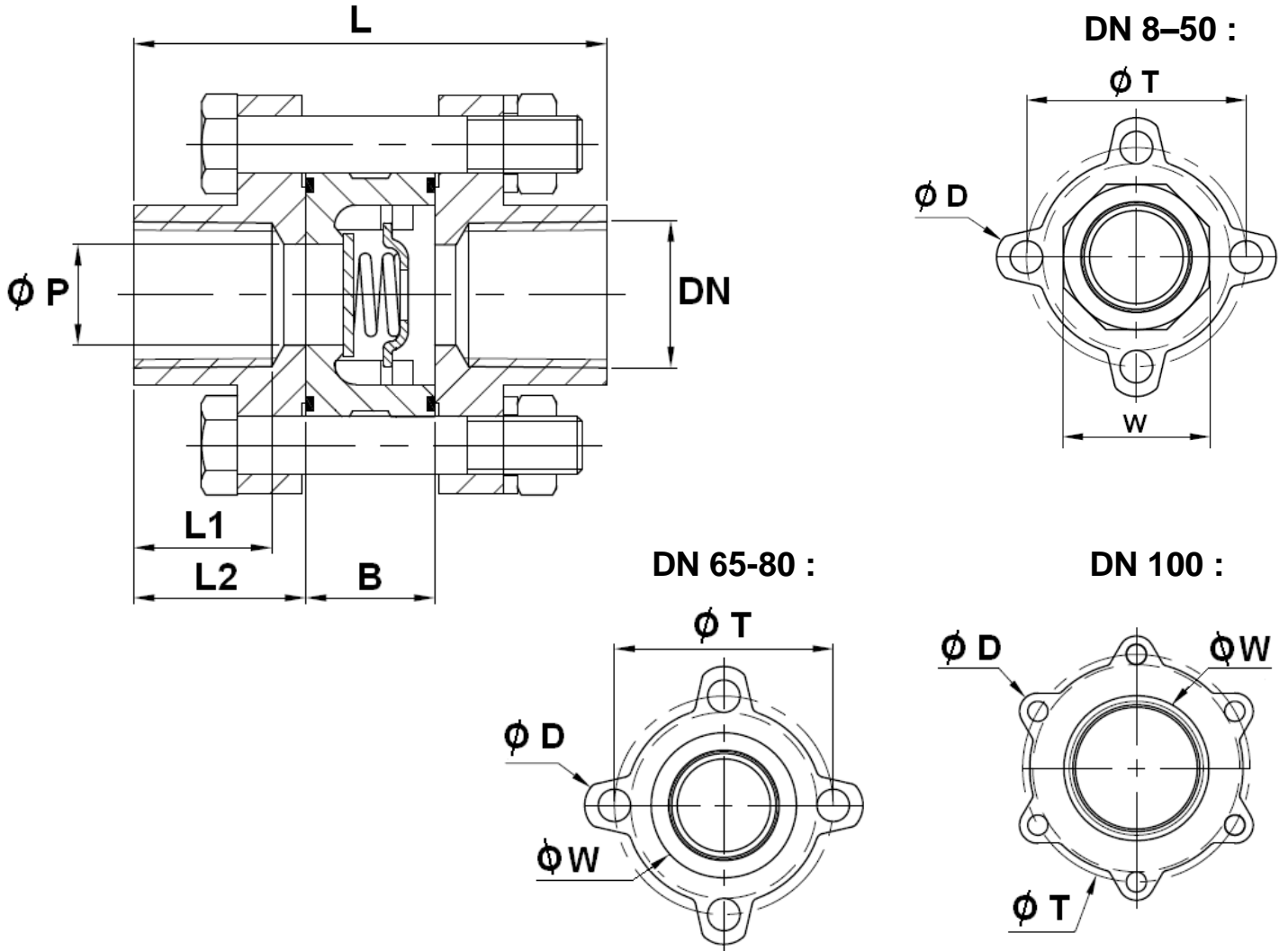
FIG. 380-384**3 PIECES STAINLESS STEEL CHECK VALVE (380-384)****MATERIALS :**

Item	Designation	Materials
1	Body	ASTM A351 CF8M
2	Disc	ASTM A240-316
3	Spring	SS 316
4	Gasket	PTFE
5	Ends	ASTM A351 CF8M
6	Spring holder	ASTM A240-316
7	Screw	SS 304
8	Washer	SS 304
9	Nut	SS 304

FIG. 380-384

3 PIECES STAINLESS STEEL CHECK VALVE (380-384)

SIZE THREADED TYPES (in mm) :

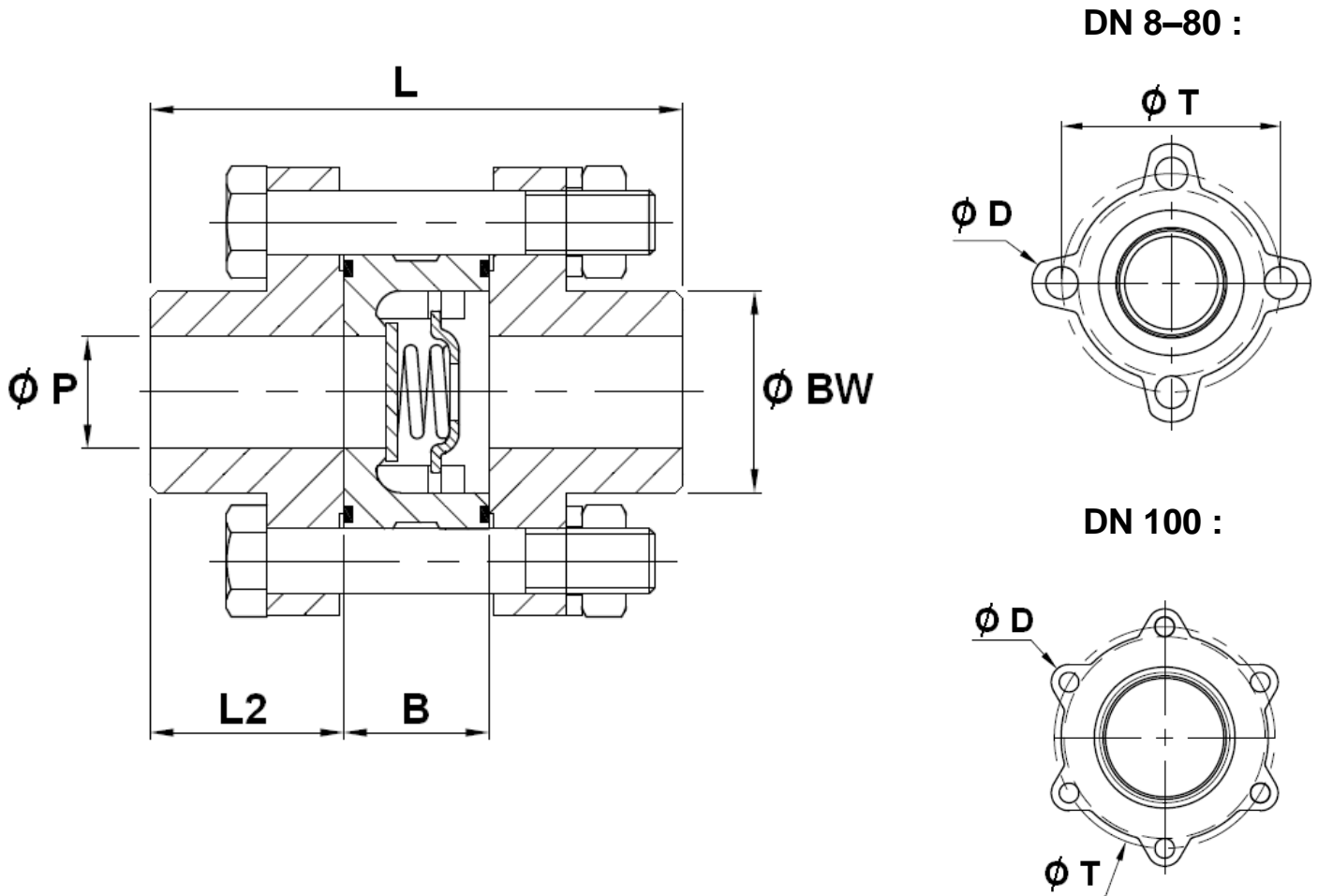


Ref.	DN	1/4"	3/8"	1/2"	3/4"	1"	1"1/4	1"1/2	2"	2"1/2	3"	4"
380/384	Ø P	10	10	14	19	25	31	39	49	64	78	97
	L	60	60	63	71	81.5	91	97.5	117	131.5	143.5	174.5
	L1	16	16	18	20	20	23	23	27	33	35	45
	L2	21	21	22	23.5	26	29	30	35	42	44	52
	B	18	18	19	24	29.5	33	37.5	47	47.5	55.5	70.5
	Ø D	12	12	14	16	16	18	18	18	18	18	18
	Ø T	36.5	36.5	42.7	51.7	58.7	72.7	83.7	98.7	129	153.5	186.5
	W	22	22	26	32	39	49	56	69	83	100	122.5
	Weight (Kg)	0.3	0.2	0.4	0.5	0.7	1.3	1.7	2.5	4.3	6.2	11

FIG. 380-384

3 PIECES STAINLESS STEEL CHECK VALVE (380-384)

SIZE B.W. TYPE (in mm) :

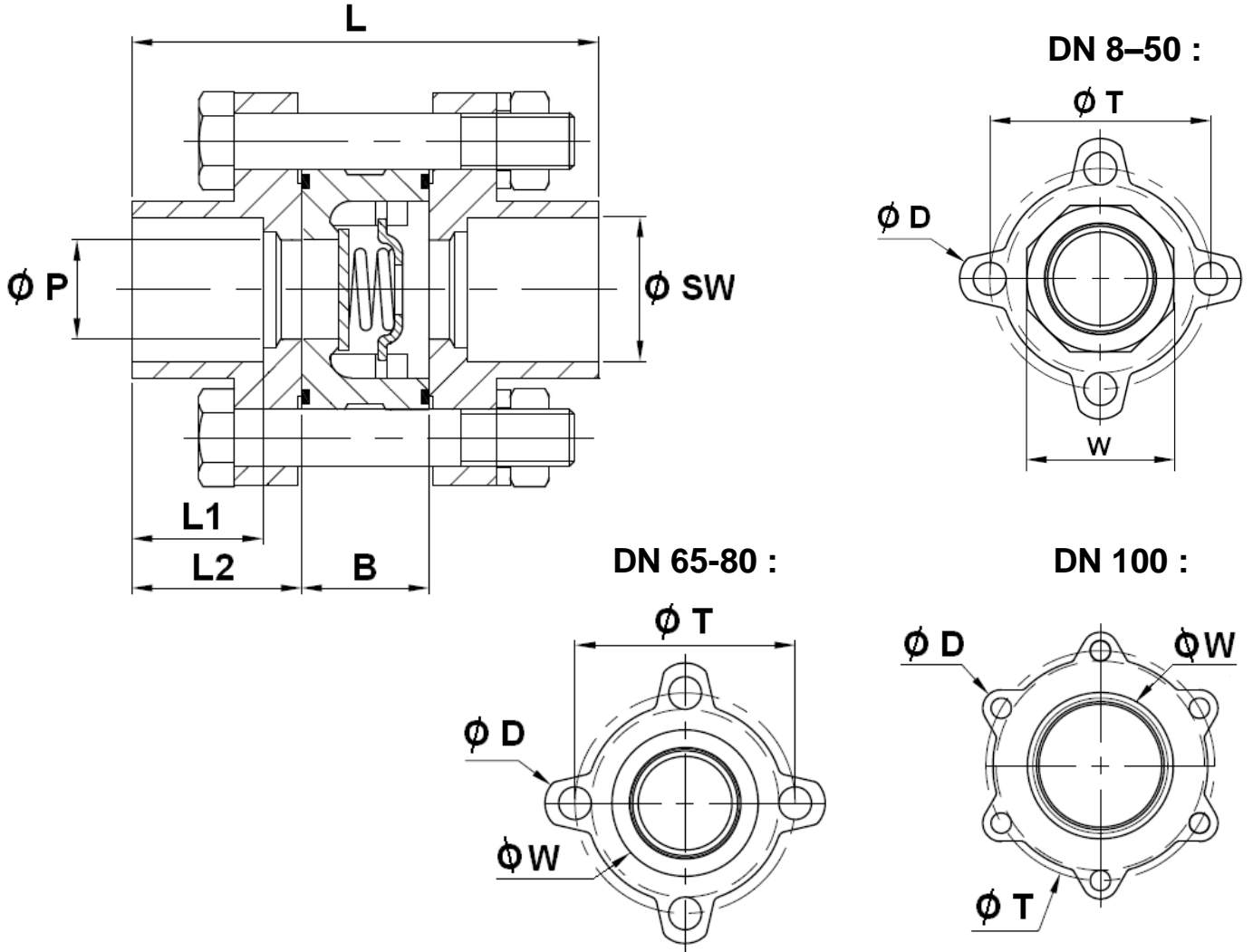


Ref.	DN	8	10	15	20	25	32	40	50	65	80	100
381	Ø P	10	10	14	19	25	31	39	49	64	78	97
	L	66	66	67	81	89.5	92	103.5	117	131.5	143.5	174.5
	L2	24	24	24	28.5	30	29.5	33	35	42	44	52
	B	18	18	19	24	29.5	33	37.5	47	47.5	55.5	70.5
	Ø D	12	12	14	16	16	18	18	18	18	18	18
	Ø BW	18	20.5	22	28	31.5	40	46	60	78	91.5	121.5
	Ø T	36.5	36.5	42.7	51.7	58.7	72.7	83.7	98.7	129	153.5	186.5
	Weight (Kg)	0.3	0.2	0.4	0.5	0.7	1.3	1.7	2.5	4.3	6.2	11

FIG. 380-384

3 PIECES STAINLESS STEEL CHECK VALVE (380-384)

SIZE S.W. TYPE (in mm) :

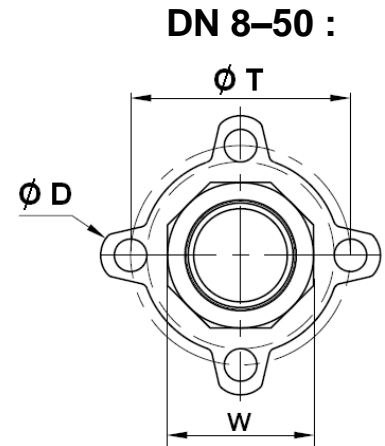
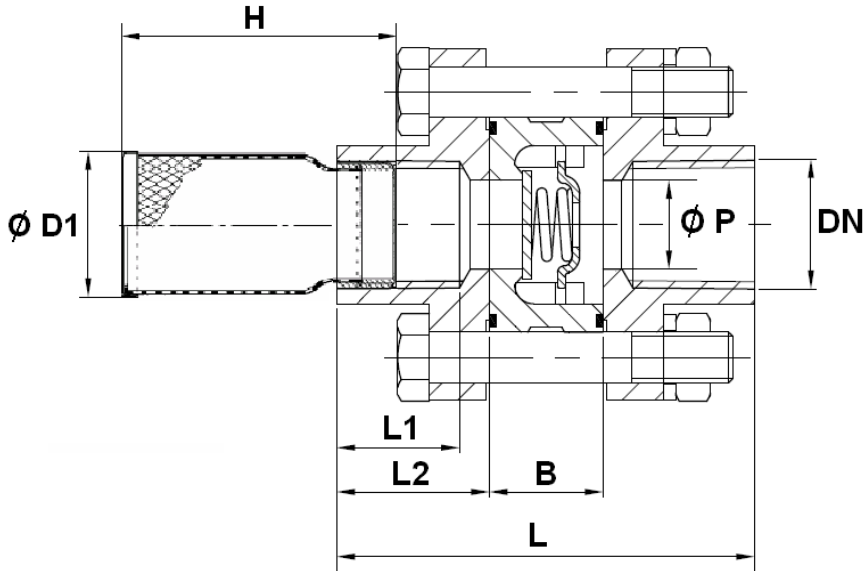


Ref.	DN	8	10	15	20	25	32	40	50	65	80	100
382	Ø P	10	10	14	19	25	31	39	49	64	78	97
	L	60	60	63	71	81.5	91	97.5	117	131.5	143.5	174.5
	L1	15.5	16.5	12.5	14.1	15.7	17.7	19.5	22	26.3	28.7	37.5
	L2	21	21	22	23.5	26	29	30	35	42	44	52
	B	18	18	19	24	29.5	33	37.5	47	47.5	55.5	70.5
	Ø D	12	12	14	16	16	18	18	18	18	18	18
	W	22	22	26	32	39	49	56	69	83	100	122.5
	Ø SW	14.2	17.5	21.8	27.4	34.1	42.7	49	61	77	90.2	115.3
	Ø T	36.5	36.5	42.7	51.7	58.7	72.7	83.7	98.7	129	153.5	186.5
	Weight (Kg)		0.3	0.2	0.4	0.5	0.7	1.3	1.7	2.5	4.3	6.2

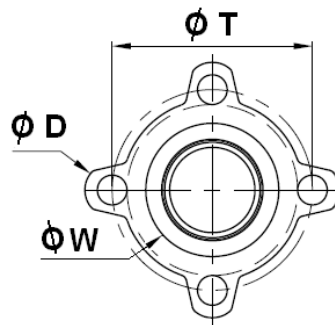
FIG. 380-384

3 PIECES STAINLESS STEEL CHECK VALVE (380-384)

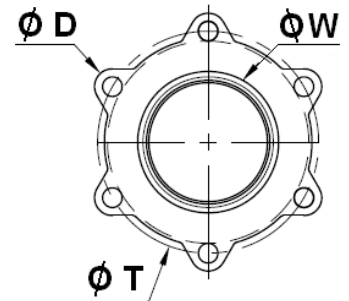
SIZE THREADED TYPE WITH STRAINER (in mm) :



DN 65-80 :



DN 100 :



Ref .	DN	3/8"	1/2"	3/4"	1"	1"1/4	1"1/2	2"	2"1/2	3"	4"	
383	Ø P	10	14	19	25	31	39	49	64	78	97	
	L	60	63	71	81.5	91	97.5	117	131.5	143.5	174.5	
	L1	16	18	20	20	23	23	27	33	35	45	
	L2	21	22	23.5	26	29	30	35	42	44	52	
	B	18	19	24	29.5	33	37.5	47	47.5	55.5	70.5	
	Ø D1	21	23	29	37	44	49	61	80	86	116	
	H	51	55	62	69	80	89	101	114	126	144	
	Ø D	12	14	16	16	18	18	18	18	18	18	
	T	36.5	42.7	51.7	58.7	72.7	83.7	98.7	129	153.5	186.5	
	W	22	26	32	39	49	56	69	83	100	122.5	
	Mesh		1.2	1.2	1.2	1.2	1.2	1.2	1.2	1.5	1.5	2
	Weight (Kg)		0.211	0.415	0.525	0.737	1.355	1.767	2.584	4.435	6.369	11.243

FIG. 380-384

3 PIECES STAINLESS STEEL CHECK VALVE (380-384)

BOLT TIGHTENING TABLE (in Nm):

DN	1/4"	3/8"	1/2"	3/4"	1"	1"1/4	1"1/2	2"	2"1/2	3"	4"
Torque (Nm)	30	30	30	30	45	45	45	60	75	90	105

STANDARDS :

- Fabrication according to ISO 9001 : 2008
- DIRECTIVE 97/23/CE : CE N° 0035
Risk category II
- Construction according to EN 12516-1
- Designing according to ASME B16.34
- Tests according to API 598, table 6
- BSP threaded cylindrical ends according to ISO 228-1
- NPT threaded ends according to ANSI B1.20.1
- ATEX Group II Category 2 G/2D Zone 1 & 21 Zone 2 & 22 (optional marking)

ADVICE : Our opinion and our advice are not guaranteed and SFERACO shall not be liable for the consequences of damages.
The customer must check the right choice of the products with the real service conditions.

3 PIECES STAINLESS STEEL CHECK VALVE (380-384)
INSTALLATION INSTRUCTIONS**GENERAL GUIDELINES :**

- Ensure that the check valves to be used are appropriate for the conditions of the installation (type of fluid, pressure and temperature).
- Be sure to have enough valves to be able to isolate the sections of piping as well as the appropriate equipment for maintenance and repair.
- Ensure that the check valves to be installed are of correct strength to be able to support the capacity of their usage.
- **Installation of all circuits should ensure that their function can be automatically tested on a regular basis (at least two times a year).**

INSTALLATION INSTRUCTIONS :

- **Before installing the check valves, clean and remove any objects from the pipes** (in particular bits of sealing and metal) which could obstruct and block the check valves.
- **Ensure that both connecting pipes either side of the check valve (upstream and downstream) are aligned (if they're not, the valves may not work correctly).**
- **Make sure that the two sections of the pipe (upstream and downstream) match, the check valve unit will not absorb any gaps. Any distortions in the pipes may affect the tightness of the connection, the working of the check valve and can even cause a rupture.** To be sure, place the kit in position to ensure the assembling will work.
- **During welding operation, be sure to not exceed 200°C**
- **If sections of piping do not have their final support in place, they should be temporarily fixed. This is to avoid unnecessary strain on the check valve.**
- **Fluids in the check valve must not contain solid objects (it could damaged the seat).**
- If there is a direction changing or if there's another material, it's better to take away the check valve so that it is outside the turbulence area (**between 3 and 5 times the ND before and after**).
- After a pump please refer to norm NF CR 13932 to install the check valve.