

INSTAL

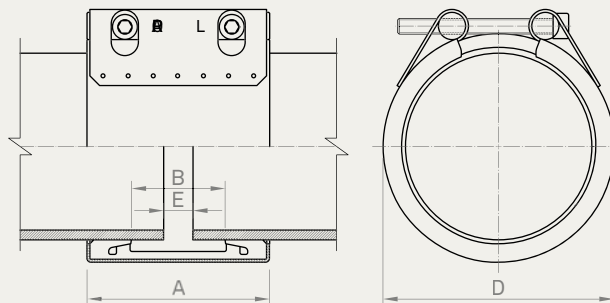
FLEXIBLE COUPLINGS FOR PIPE
CONNECTIONS





NOMINAL WIDTH 95

Series IBX



	Quality W1		Quality W2		Quality W4		Quality W5	
	AISI	DIN	AISI	DIN	AISI	DIN	AISI	DIN
Casing			304 L	1.4307	304 L	1.4307	316 L	1.4404
Bolts			1035	1.0501	304	1.4301	316	1.4401
Bars			1045	1.0503	304 L	1.4307	316 L	1.4404
Inner Steel Bridge (Lock)			304 L	1.4307	304 L	1.4307	316 L	1.4404

OD	Range	Pressure		Dimensions					Bolts	
		PN bar	PS bar	A mm	B mm	D mm	E ¹ mm	E ² mm	Diam.	Tor. Nm
48,3	47 - 49	16	45	78	31	67,3	5	15	M 8	7
54,0	53 - 55	16	45	78	31	73,0	5	15	M 8	7
57,0	56 - 58	16	40	78	31	76,0	5	15	M 8	7
60,3	59 - 61	16	40	78	31	79,3	5	15	M 8	7
63,0	62 - 65	16	40	78	31	82,0	5	15	M 8	7
76,1	74 - 77	16	30	94	45	98,1	5	15	M 8	7
84,0	82 - 85	16	30	94	45	106,0	5	15	M 8	7
88,9	87 - 91	16	30	94	45	110,9	5	15	M 8	7
104,0	102 - 106	16	30	94	45	126,0	5	15	M 8	10
108,0	107 - 111	14	30	94	45	130,0	5	15	M 8	10
114,3	112 - 117	13	30	95	45	136,3	5	15	M 8	10
125,0	124 - 127	12	20	95	45	147,0	5	15	M 8	10
129,0	127 - 131	12	20	95	45	151,0	5	15	M 8	10
133,0	131 - 136	11	20	95	45	155,0	5	15	M 8	10
139,7	137 - 142	11	20	95	45	161,7	5	15	M 8	10
154,0	152 - 156	10	20	95	45	176,0	5	15	M 8	10
159,0	156 - 161	10	20	95	45	181,0	5	15	M 8	10
168,3	166 - 171	10	20	95	45	190,3	5	15	M 8	10

E¹ Permitted gaps without internal band E² Permitted gaps with internal band Tor. Torque Value

PN Nominal pressure for the shipbuilding industry with safety factor ≥ 4 PS Working pressure OD Outside Diameter

OD	Maximum diameter difference	Maximum angular deflection	Maximum misalignment
mm	mm	degrees	mm
48,3	0,5	4,0	1,0
54 - 63	1,0	4,0	1,0
76,1 - 104	1,5	4,0	1,0
108 - 154	2,5	4,0	1,0
154 - 168,3	2,5	4,0	2,0

See page 5 (Permitted tolerances)

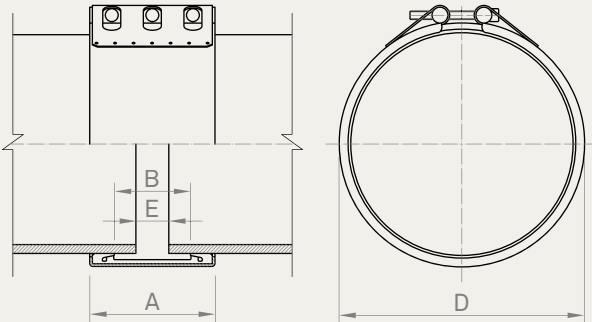
For the correct operation of the coupling, fitting instructions must be respected.

Sealing gasket: EPDM / NBR / Silicone

Test pressure = 1.5 x PS / PN

NOMINAL WIDTH 140

Series IBY to IFY



	IBY	ICY	IDY	IEY	IFY
	mm	mm	mm	mm	mm
A	139	140	141	142	144
B	86	86	86	86	86
D	OD + 23	OD + 24	OD + 25	OD + 26	OD + 28
E ¹	10	10	10	10	10
E ²	35	35	35	35	35

	Quality W1		Quality W2		Quality W4		Quality W5	
	AISI	DIN	AISI	DIN	AISI	DIN	AISI	DIN
Casing			304 L	1.4307	304 L	1.4307	316 L	1.4404
Bolts			1035	1.0501	304	1.4301	316	1.4401
Bars			1045	1.0503	304 L	1.4307	316 L	1.4404
Inner Steel Bridge (Lock)			304 L	1.4307	304 L	1.4307	316 L	1.4404

DN	IBY			ICY			IDY			IEY			IFY		
	PS bar	Diam.	Tor. Nm	PS bar	Diam.	Tor. Nm	PS bar	Diam.	Tor. Nm	PS bar	Diam.	Tor. Nm	PS bar	Diam.	Tor. Nm
150	23	M 10	20	30	M 10	20									
200	18	M 10	20	24	M 10	20	30	M 10	20						
250	15	M 10	20	19	M 10	20	24	M 10	20						
300	12	M 10	25	16	M 10	20	20	M 10	20						
350	11	M 10	30	14	M 10	20	18	M 10	20	21	M 10	20	28	M 12	25
400	9	M 10	30	13	M 10	20	16	M 10	20	19	M 10	20	25	M 12	25
450	8	M 10	25	11	M 10	25	14	M 10	25	17	M 12	30	22	M 12	30
500	8	M 10	30	10	M 10	25	13	M 10	25	15	M 12	30	20	M 12	35
550	7	M 10	30	9	M 10	30				14	M 12	35	19	M 12	35
600	6	M 10	30	9	M 10	30				13	M 12	35	17	M 12	35
650	6	M 10	35	8	M 10	35				12	M 12	45	16	M 12	45
700	6	M 10	35	7	M 10	35				11	M 12	45	15	M 12	45
750	5	M 10	40	7	M 10	40				10	M 12	45	14	M 16	60
800	5	M 10	40	6	M 12	50				10	M 12	50	13	M 16	70
850	5	M 10	45	6	M 12	60				9	M 12	60	12	M 16	70
900				6	M 12	60				9	M 12	60	12	M 16	80
950				5	M 12	60				8	M 12	60	11	M 16	80
1000				5	M 12	70				8	M 12	70	10	M 16	90
1100				5	M 12	70				7	M 16	90	9	M 16	90
1200				4	M 12	80				7	M 16	100	9	M 16	100

E¹ Permitted gaps without internal band E² Permitted gaps with internal band Tor. Torque Value PS Working pressure DN Nominal Diameter OD Outside Diameter

For the correct operation of the coupling, fitting instructions must be respected.

Nominal diameters serve as guidance of the pressure scale. All measures within the DN range are manufactured.

Sealing gasket: EPDM / NBR / Silicone

Test pressure = 1.5 x PS

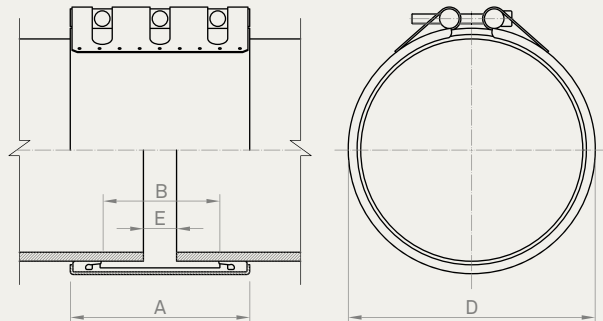
OD	Maximum diameter difference	Maximum angular deflection	Maximum misalignment
mm	mm	degrees	mm
150 - 250	2,5	2,0	2,0
250 - 500	2,5	2,0	3,0
500 - 1200	3,0	2,0	3,0

See page 5 (Permitted tolerances)

NOMINAL WIDTH 200

Series IBZ to IGZ

	IBZ	ICZ	IDZ	IEZ	IFZ	IGZ
	mm	mm	mm	mm	mm	mm
A	199	200	201	202	204	206
B	142	142	142	142	142	142
D	OD + 23	OD + 24	OD + 25	OD + 26	OD + 28	OD + 30
E ¹	15	15	15	15	15	15
E ²	60	60	60	60	60	60



	Quality W1		Quality W2		Quality W4		Quality W5	
	AISI	DIN	AISI	DIN	AISI	DIN	AISI	DIN
Casing			304 L	1.4307	304 L	1.4307	316 L	1.4404
Bolts			1035	1.0501	304	1.4301	316	1.4401
Bars			1045	1.0503	304 L	1.4307	316 L	1.4404
Inner Steel Bridge (Lock)			304 L	1.4307	304 L	1.4307	316 L	1.4404

DN	IBZ			ICZ			IDZ			IEZ			IFZ			IGZ		
	PS bar	Diam.	Tor. Nm	PS bar	Dia	Tor. Nm	PS bar	Diam.	Tor. Nm	PS bar	Diam.	Tor. Nm	PS bar	Diam.	Tor. Nm	PS bar	Diam.	Tor. Nm
150	23	M 12	20	30	M 12	20												
200	18	M 12	20	24	M 12	25	30	M 12	20									
250	15	M 12	25	19	M 12	25	24	M 12	20									
300	12	M 12	30	16	M 12	30	20	M 12	20									
350	11	M 12	35	14	M 12	30	18	M 12	25	21	M 12	25	28	M 16	30			
400	9	M 12	35	13	M 12	25	16	M 12	30	19	M 12	25	25	M 16	60			
450	8	M 12	45	11	M 12	30	14	M 12	30	17	M 12	30	22	M 16	40			
500	8	M 12	45	10	M 12	35	13	M 12	35	15	M 12	30	20	M 16	40			
550	7	M 12	35	9	M 12	35				14	M 16	45	19	M 16	45			
600	6	M 12	35	9	M 12	35				13	M 16	50	17	M 16	50	21	M 20	60
650	6	M 12	40	8	M 12	45				12	M 16	60	16	M 16	60	20	M 20	70
700	6	M 12	45	7	M 12	45				11	M 16	60	15	M 16	60	18	M 20	70
750	5	M 12	45	7	M 12	45				10	M 16	60	14	M 16	60	17	M 20	80
800	5	M 12	50	6	M 12	50				10	M 16	70	13	M 16	70	16	M 20	90
850	5	M 12	60	6	M 12	60				9	M 16	70	12	M 16	70	15	M 20	90
900				6	M 12	60				9	M 16	80	12	M 16	80	14	M 20	100
950				5	M 12	60				8	M 16	80	11	M 16	80	14	M 20	100
1000				5	M 12	70				8	M 16	90	10	M 16	90	13	M 20	120
1100				5	M 16	90				7	M 16	90	9	M 16	90	12	M 20	120
1200				4	M 16	100				7	M 16	100	9	M 16	10	11	M 20	120
1300										6	M 16	120	9	M 16	120	10	M 20	140
1400										6	M 16	120	7	M 16	120	9	M 20	160
1500										5	M 16	140	7	M 16	140	9	M 20	160

E¹ Permitted gaps without internal band E² Permitted gaps with internal band Tor. Torque Value PS Working pressure DN Nominal Diameter OD Outside Diameter

OD	Maximum diameter difference	Maximum angular deflection	Maximum misalignment
mm	mm	degrees	mm
150 - 250	2,5	2,0	2,0
250 - 500	2,5	2,0	3,0
500 - 1500	3,0	2,0	3,0

See page 5 (Permitted tolerances)

For the correct operation of the coupling, fitting instructions must be respected.

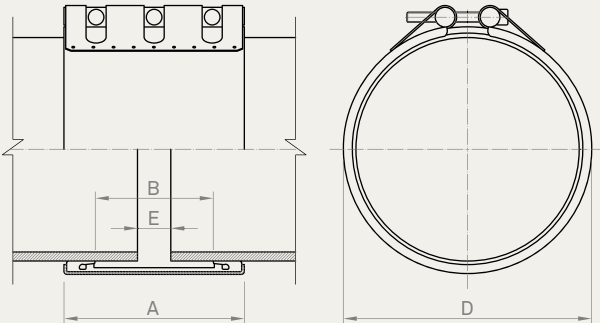
Nominal diameters serve as guidance of the pressure scale. All measures within the DN range are manufactured.

Sealing gasket: EPDM / NBR / Silicone

Test pressure = 1.5 x PS

COATED NOMINAL WIDTH 200

Series AFZ to AGZ



	AFZ	AGZ
	mm	mm
A	204	206
B	142	142
D	OD + 28	OD + 30
E ¹	15	15
E ²	60	60

	Quality W1		Quality W2		Quality W4		Quality W5	
	AISI	DIN	AISI	DIN	AISI	DIN	AISI	DIN
Casing	1024	1.0570						
Bolts	1035 / 304	1.0501 / 1.4301						
Bars	1045 / 304 L	1.0503 / 1.4307						
Inner Steel Bridge (Lock)	304 L	1.4307						

DN	AFZ			AGZ		
	PS bar	Diam.	Tor. Nm	PS bar	Diam.	Tor. Nm
500	27	M 20	60			
550	25	M 20	60			
600	23	M 20	60	29	M 20	60
650	21	M 20	70	27	M 20	70
700	20	M 20	80	25	M 20	80
750	19	M 20	80	23	M 20	80
800	17	M 20	90	22	M 20	90
850	16	M 20	90	21	M 20	90
900	16	M 20	100	19	M 20	100
950	15	M 20	100	18	M 20	100
1000	14	M 20	120	18	M 20	120
1100	13	M 20	120	16	M 20	120
1200	12	M 20	120	15	M 20	140
1300	11	M 20	140	14	M 20	140
1400	10	M 20	160	13	M 20	160
1500	9	M 20	160	12	M 20	160

E¹ Permitted gaps without internal band E² Permitted gaps with internal band Tor. Torque Value PS Working pressure DN Nominal Diameter OD Outside Diameter

For the correct operation of the coupling, fitting instructions must be respected.

Nominal diameters serve as guidance of the pressure scale. All measures within the DN range are manufactured.

Sealing gasket: EPDM / NBR / Silicone

Test pressure = 1.5 x PS

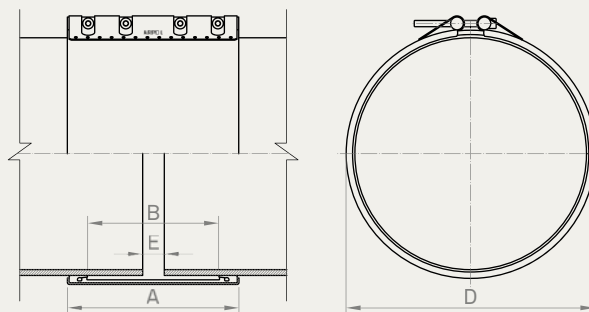
OD	Maximum diameter difference	Maximum angular deflection	Maximum misalignment
mm	mm	degrees	mm
500 - 1500	3,0	2,0	3,0

See page 5 (Permitted tolerances)

NOMINAL WIDTH 300

Series IBW to IGW

	IBW	ICW	IDW	IEW	IFW	IGW
	mm	mm	mm	mm	mm	mm
A	294	295	296	297	299	301
B	240	240	240	240	240	240
D	OD + 23	OD + 24	OD + 25	OD + 26	OD + 28	OD + 30
E ¹	15	15	15	15	15	15
E ²	80	80	80	80	80	80



	Quality W1		Quality W2		Quality W4		Quality W5	
	AISI	DIN	AISI	DIN	AISI	DIN	AISI	DIN
Casing			304 L	1.4307	304 L	1.4307	316 L	1.4404
Bolts			1035	1.0501	304	1.4301	316	1.4401
Bars			1045	1.0503	304 L	1.4307	316 L	1.4404
Inner Steel Bridge (Lock)			304 L	1.4307	304 L	1.4307	316 L	1.4404

DN	IBW			ICW			IDW			IEW			IFW			IGW		
	PS bar	Diam.	Tor. Nm	PS bar	Diam.	Tor. Nm	PS bar	Diam.	Tor. Nm	PS bar	Diam.	Tor. Nm	PS bar	Diam.	Tor. Nm	PS bar	Diam.	Tor. Nm
300	12	M 12	15	16	M 12	15	20	M 12	15	21	M 16	25	28	M 16	25			
350	11	M 12	20	14	M 12	20	18	M 12	20	19	M 16	30	25	M 16	30			
400	9	M 12	20	13	M 12	20	16	M 12	20	17	M 16	30	22	M 16	30			
450	8	M 12	25	11	M 12	25	14	M 12	25	15	M 16	35	20	M 16	35			
500	8	M 12	25	10	M 12	25	13	M 12	25	14	M 16	35	19	M 16	35			
550	7	M 12	30	9	M 12	30				13	M 16	40	17	M 16	40	21	M 20	40
600	6	M 12	30	8	M 12	30				12	M 16	45	16	M 16	45	20	M 20	60
650	6	M 12	35	7	M 12	35				11	M 16	45	15	M 16	45	18	M 20	60
700	6	M 12	35	7	M 12	35				10	M 16	50	14	M 16	50	17	M 20	60
750	5	M 12	35	7	M 12	35				10	M 16	50	14	M 16	50	17	M 20	60
800										10	M 16	50	13	M 16	50	16	M 20	70
850										9	M 16	60	12	M 16	60	15	M 20	70
900										9	M 16	60	12	M 16	60	14	M 20	70
950										8	M 16	60	11	M 16	60	14	M 20	80
1000										8	M 16	70	10	M 16	70	13	M 20	80
1100										7	M 16	70	9	M 16	70	12	M 20	90
1200										7	M 16	80	9	M 20	100	11	M 20	100
1300										6	M 16	80	8	M 20	100	10	M 20	100
1400										6	M 16	90	7	M 20	120	9	M 20	120
1500										5	M 16	100	7	M 20	120	9	M 20	120

E¹ Permitted gaps without internal band E² Permitted gaps with internal band Tor. Torque Value PS Working pressure DN Nominal Diameter OD Outside Diameter

OD	Maximum diameter difference	Maximum angular deflection	Maximum misalignment
mm	mm	degrees	mm
300 - 500	2,5	2,0	3,0
500 - 1500	3,0	2,0	3,0

See page 5 (Permitted tolerances)

For the correct operation of the coupling, fitting instructions must be respected.

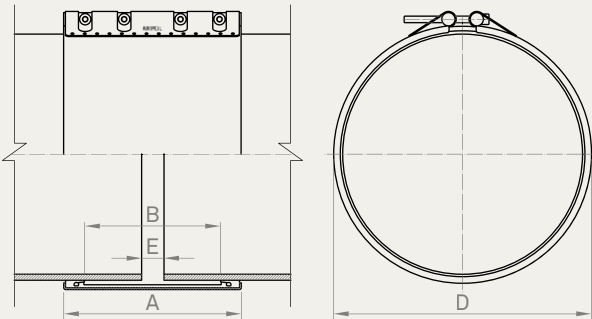
Nominal diameters serve as guidance of the pressure scale. All measures within the DN range are manufactured.

Sealing gasket: EPDM / NBR

Test pressure = 1.5 x PS

COATED NOMINAL WIDTH 300

Series AFW to AGW



	AFW	AGW
	mm	mm
A	299	301
B	240	240
D	OD + 28	OD + 30
E ¹	15	15
E ²	80	80

	Quality W1		Quality W2		Quality W4		Quality W5	
	AISI	DIN	AISI	DIN	AISI	DIN	AISI	DIN
Casing	1024	1.0570						
Bolts	1035 / 304	1.0501 / 1.4301						
Bars	1045 / 304 L	1.0503 / 1.4307						
Inner Steel Bridge (Lock)	304 L	1.4307						

DN	AFW			AGW		
	PS bar	Diam.	Tor. Nm	PS bar	Diam.	Tor. Nm
500	27	M 20	40			
550	25	M 20	45			
600	23	M 20	50	29	M 20	50
650	21	M 20	60	27	M 20	60
700	20	M 20	60	25	M 20	60
750	19	M 20	60	23	M 20	60
800	17	M 20	70	22	M 20	70
850	16	M 20	70	21	M 20	70
900	16	M 20	70	19	M 20	70
950	15	M 20	80	18	M 20	80
1000	14	M 20	80	18	M 20	80
1100	13	M 20	90	16	M 20	90
1200	12	M 20	100	15	M 20	100
1300	11	M 20	100	14	M 20	100
1400	10	M 20	120	13	M 20	120
1500	9	M 20	120	12	M 20	120

E¹ Permitted gaps without internal band E² Permitted gaps with internal band Tor. Torque Value PS Working pressure DN Nominal Diameter OD Outside Diameter

For the correct operation of the coupling, fitting instructions must be respected.

Nominal diameters serve as guidance of the pressure scale. All measures within the DN range are manufactured.

Sealing gasket: EPDM / NBR

Test pressure = 1.5 x PS

OD	Maximum diameter difference	Maximum angular deflection	Maximum misalignment
mm	mm	degrees	mm
500 - 1500	3,0	2,0	3,0

See page 5 (Permitted tolerances)

APPLICATION

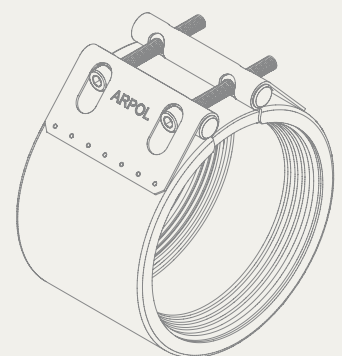
INSTAL



- Installation of an aerial steel pipeline in a waste water treatment plant.



- Connection of a polyester piece of pipe between collection boxes.



APPLICATION

INSTAL



- Connection of a polyester pipe to a valve.
- Installation of a dismantling pipe inside a collection box.



- Connection of a galvanized steel pipeline for air supply.



- Installation of a polyester pipeline for water supply.



- Installation of stainless steel pipeline for disposal of urban solid waste.